



**SONESSE® WIREFREE RTS** powered by SOMFY  
**Sonesse 28 with external battery**

A compact, quiet and powerful motor that works well for a wide range of applications, especially small and compact windows.



Battery  
Charger

- Radio Protocol - RTS
- Adjustable Speed
- RF antenna wire must be exposed, can not come into contact with metal, and may need to be repositioned for optimal range
- A 12V DC charging kit is included, 1 for every 4 shades
- Batteries must be recharged before their complete discharge in order to prevent loss of shade programming due to under voltage. The suggested battery recharging cycle is once per year or when slowing shade operation is observed

**MOTOR SPECIFICATIONS**

Voltage	12V DC
Nominal Load Current	0.8A
Sound Level*	≤48 dB
RF Control Range (will vary)	60ft

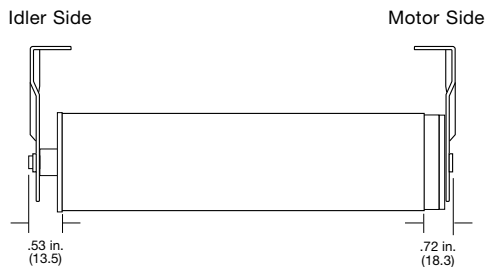
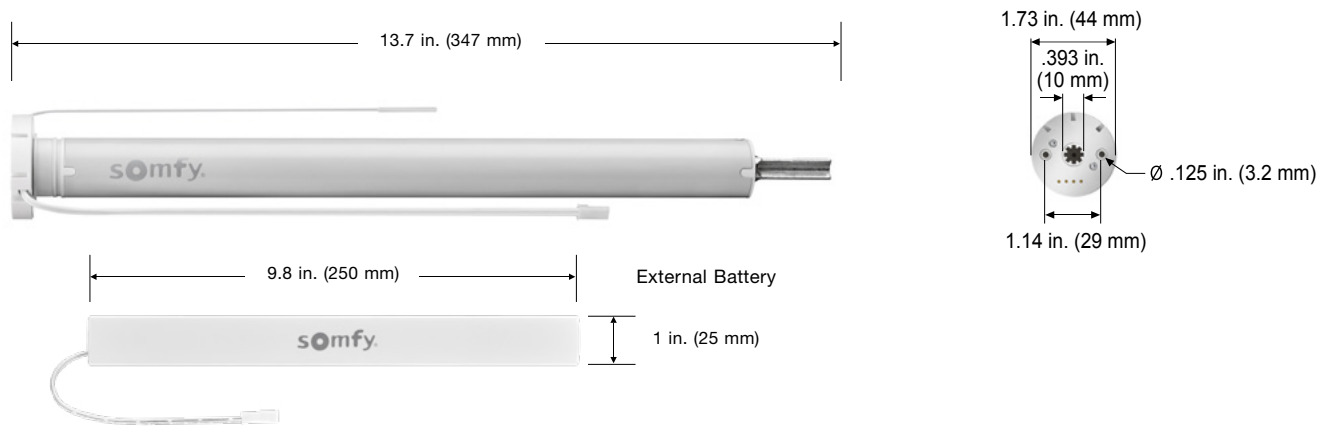
\*According to standards ISO 374 NF 31022 in dB

**SHADE SPECIFICATIONS**

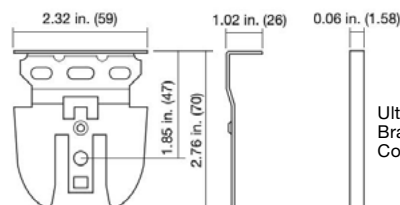
Min. Roman Shade Width	16.25"	
Min. Roman Shade Headrail Depth	2.5"	
Min. Roller Shade Width	15.875"	
	Standard Bracket	Large Bracket
Max. Roller Shade Diameter	3.25"	4.5"
Approximate Lift Capacity*	8lbs	

\*For reference only. Specific load capacity for all shades to be determined by H&F

**MOTOR AND BRACKETING DIMENSIONS**



Ultra Brackets standard  
for Rollers



Roman Brackets

